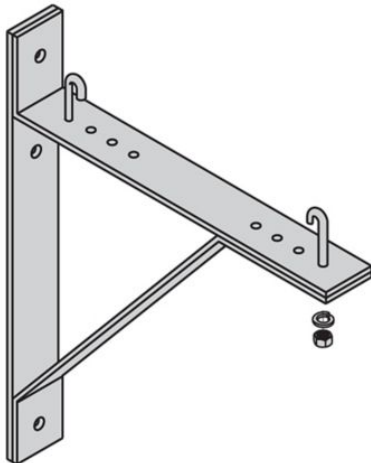


Eaton SB213309TG

Catalog Number: SB213309TG

Eaton B-Line series runway to rack support kit, Used to secure cable runway to top angles of rack, 3" upright network equipment rack top plate runway support kit, ASTM A36 structural steel, Telco gray powder coat



General specifications

Product Name	Catalog Number
Eaton B-Line series runway to rack support kit	SB213309TG
	UPC
	799038205906
Product Length/Depth	Product Height
9.875 in	2.75 in
Product Width	Product Weight
4 in	3.4 lb
Certifications	
UL Listed	

Product specifications

Type

3" upright network equipment rack top plate runway support kit

Material details

Telco gray powder coat ASTM A36 steel

Application

Used to secure cable runway to top angles of rack

Resources

Brochures

[Redi-Rail runway brochure](#)

Catalogs

[Cable runway and accessories section of datacomm catalog](#)

Specifications and datasheets

[Eaton Specification Sheet - SB213309TG](#)



Eaton Corporation plc
Eaton House
30 Pembroke Road
Dublin 4, Ireland
Eaton.com
© 2023 Eaton. All Rights Reserved.

Eaton is a registered trademark.

All other trademarks are property of their respective owners.



[Eaton.com/socialmedia](https://www.eaton.com/socialmedia)